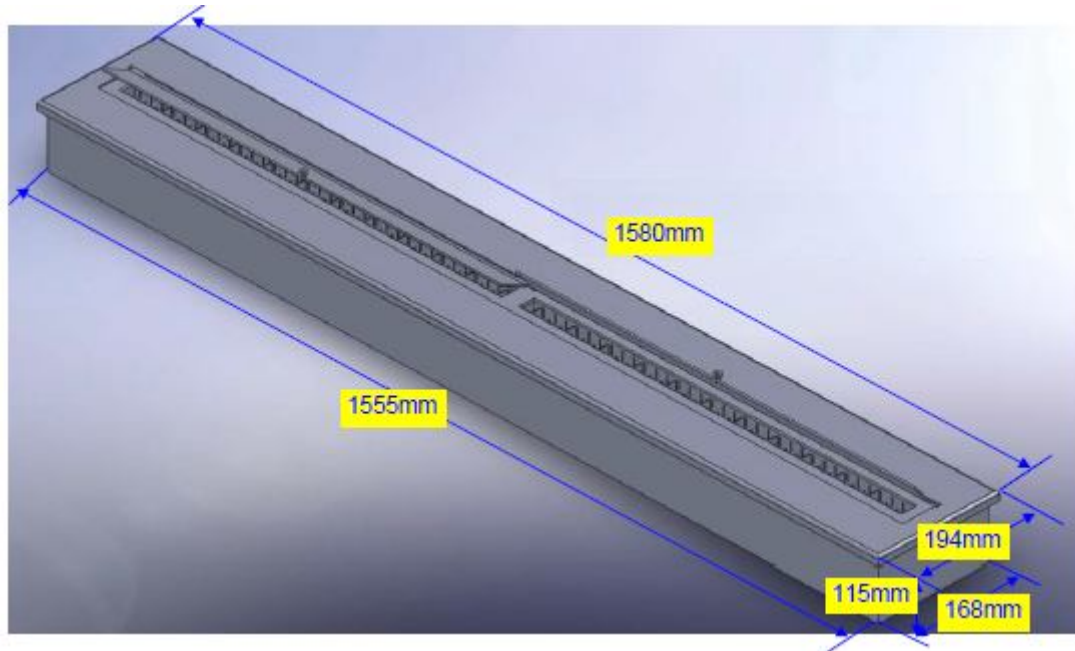


kaliFlame

www.kaliflame.com

Mega Burner



Mega Burner Dimensions

H 115mm x W 1580mm x D 194mm

Mega Burner Holder Bottom Dimensions

H 105mm x W 1555mm x D 168mm

Recommended Hole Dimensions To Fit In

H 125mm x W 1563mm x D 176mm

Fuel Capacity

18 Litre

Approx. Weight

30 Kg

Material

Stainless Steel