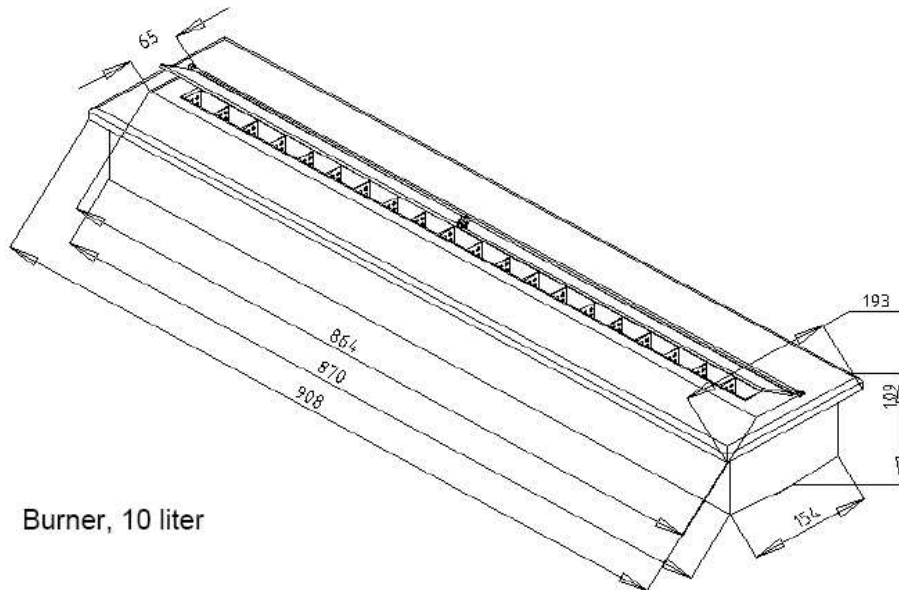


kaliFlame

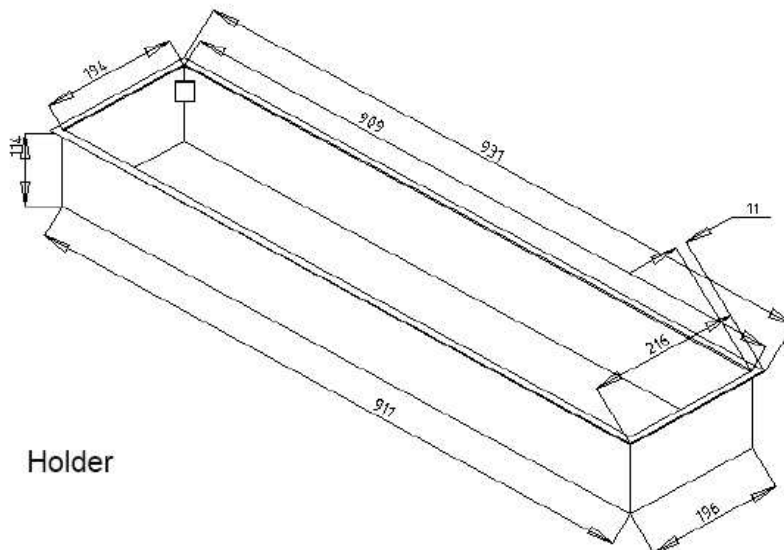
www.kaliflame.com

Extended Burner



Burner, 10 liter

Extended Burner Holder



Holder

Extended Burner Dimensions

H 109mm x W 908mm x D 193mm

Extended Burner Holder Dimensions

H 114mm x W 931mm x D 216mm

Recommended Hole Dimensions To Fit In

H 125mm x W 919mm x D 204mm

Fuel Capacity

10 Litre

Approx. Weight

16 Kg

Material

Stainless Steel