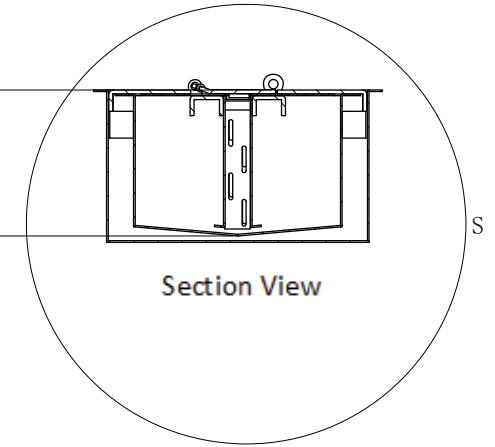
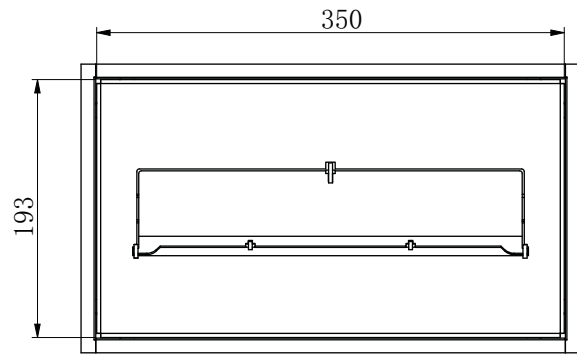


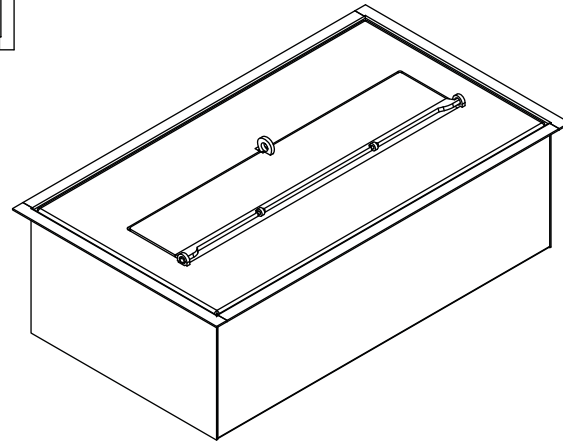
Front View



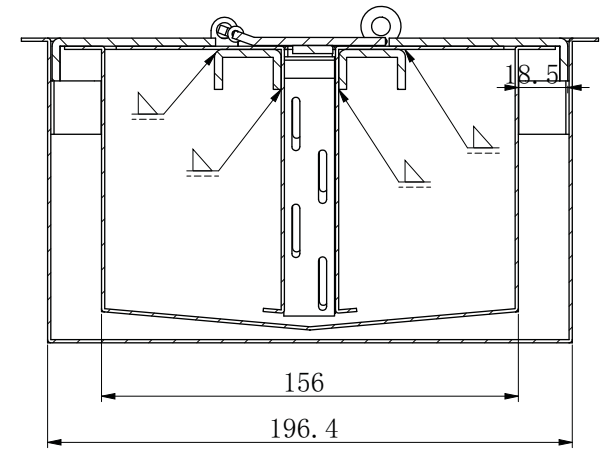
Section View



Top View



3-D View



Section View S

Scale: 1:2

350mm burner