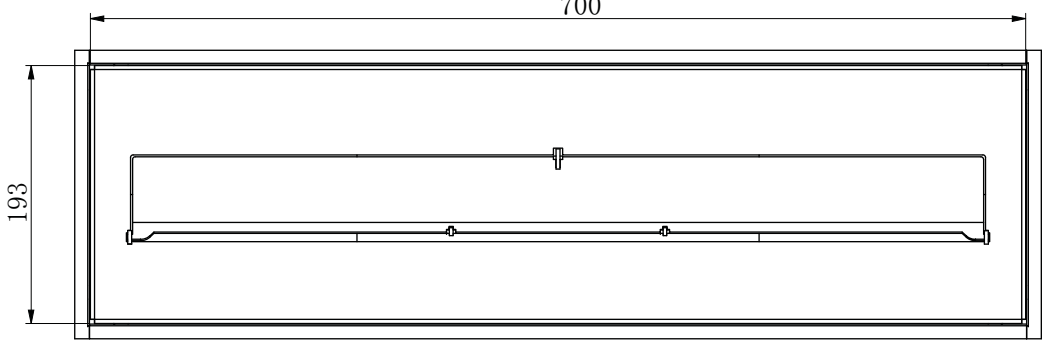
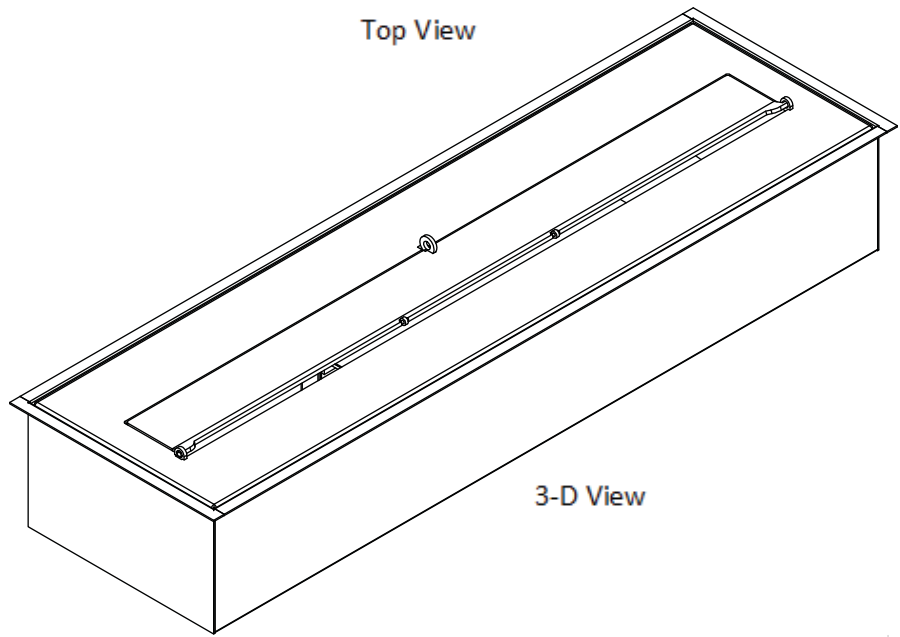


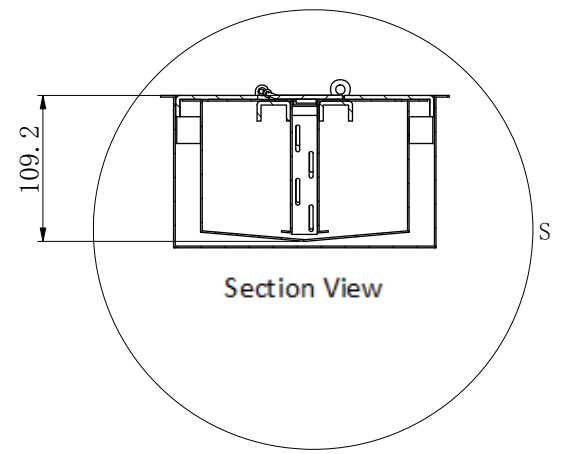
Front View



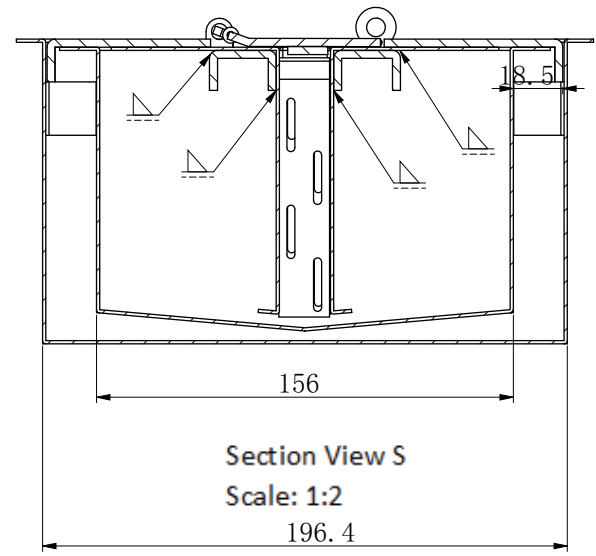
Top View



3-D View



Section View



Section View S
Scale: 1:2

700mm burner

A

B

C

D

A

B

C

D